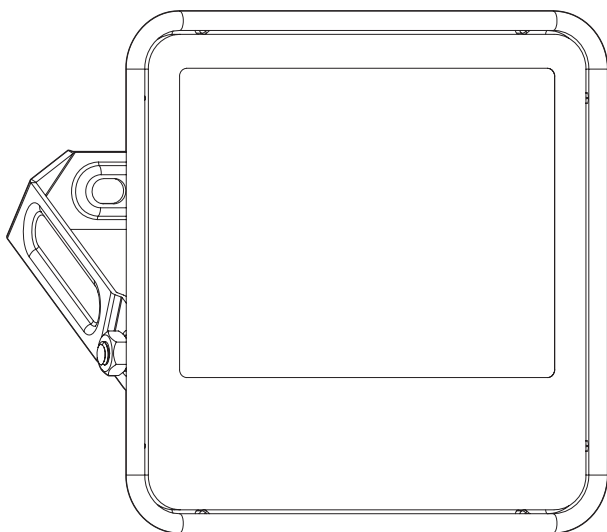



# LED ECO LITE FLOOD LIGHT



MODEL	W	L x W x H (mm)			IP	T <sub>a</sub> (°C)	PROJECTED AREA	Input Current	V <sub>AC</sub>	Hz	
LED ECO LITE FLOOD LIGHT 10W	10	109	90	27	65	-20...+50	0.0081 m <sup>2</sup>	80 mA	220-240V	50/60 Hz	0.155 kg
LED ECO LITE FLOOD LIGHT 20W	20	165	135	30	65	-20...+50	0.0148 m <sup>2</sup>	150 mA	220-240V	50/60 Hz	0.32 kg
LED ECO LITE FLOOD LIGHT 30W	30	185	135	30	65	-20...+50	0.0182 m <sup>2</sup>	125 mA	220-240V	50/60 Hz	0.372 kg
LED ECO LITE FLOOD LIGHT 50W	50	240	180	30	65	-20...+50	0.0324 m <sup>2</sup>	215 mA	220-240V	50/60 Hz	0.600 kg
LED ECO LITE FLOOD LIGHT 70W	70	286	243	37	65	-20...+50	0.0525 m <sup>2</sup>	305 mA	220-240V	50/60 Hz	1.12 kg



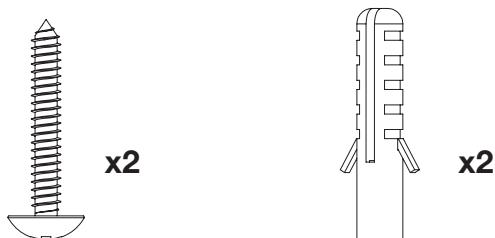
SMD  
LED

20000h



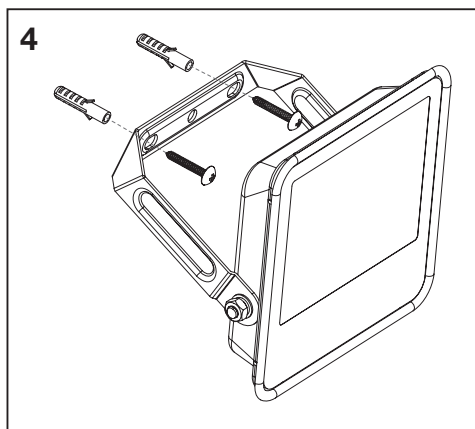
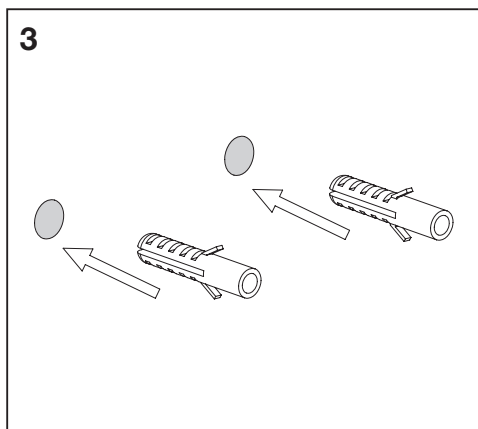
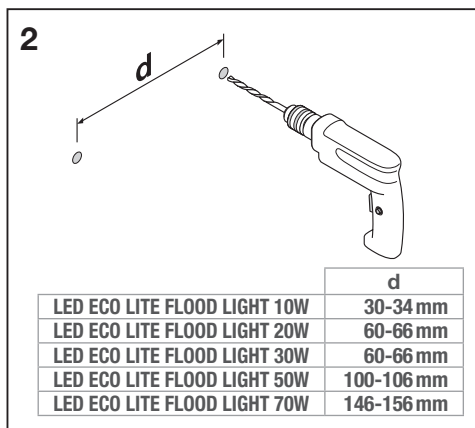
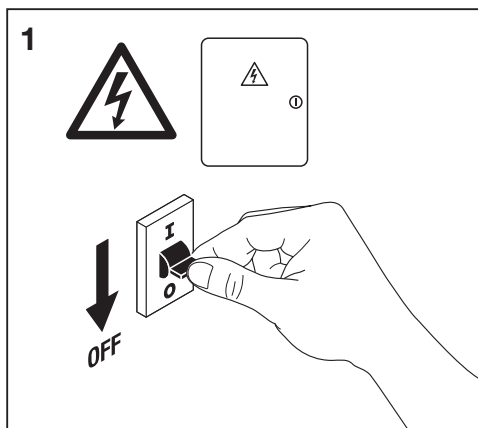
**LEDVANCE**

# LED ECO LITE FLOOD LIGHT

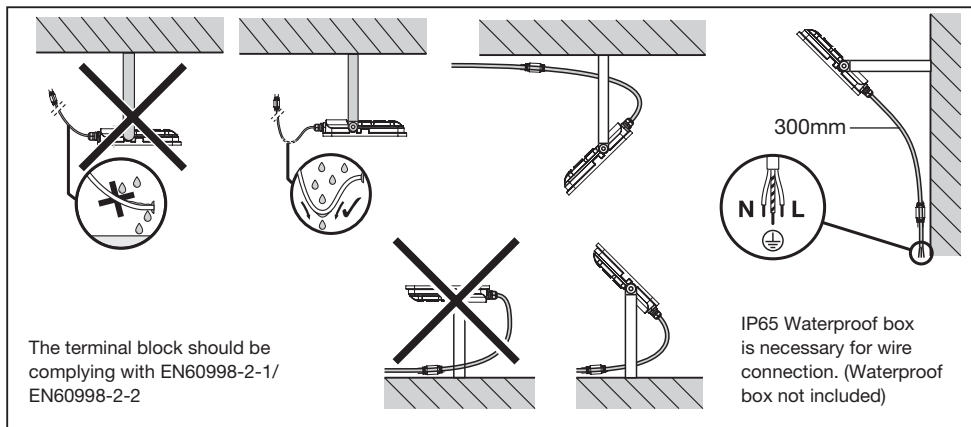
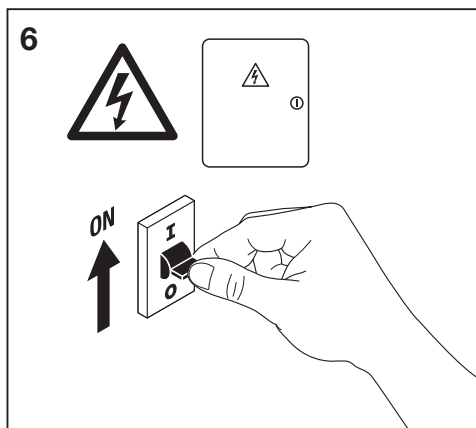
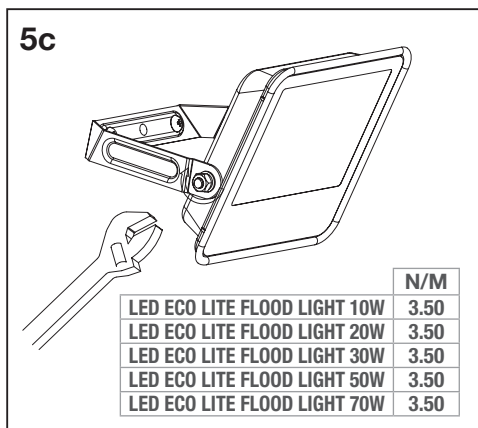
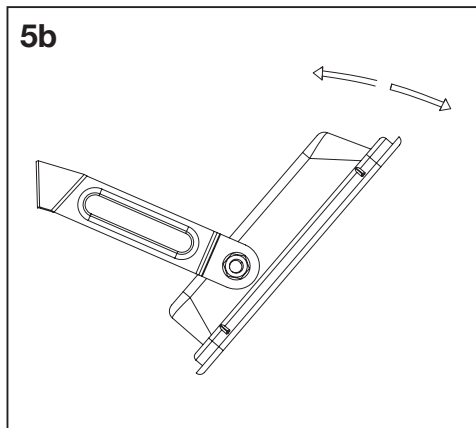
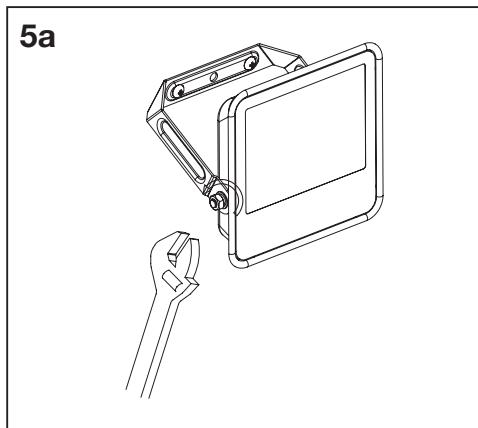


Screws and buds are not included

LED ECO LITE FLOOD LIGHT 10W	M4*25
LED ECO LITE FLOOD LIGHT 20W	M4*25
LED ECO LITE FLOOD LIGHT 30W	M4*25
LED ECO LITE FLOOD LIGHT 50W	M6*50
LED ECO LITE FLOOD LIGHT 70W	M8*50



# LED ECO LITE FLOOD LIGHT



## WARNING:

- The external flexible cord of this luminaire cannot be replaced. If the flexible cord is damaged, the lamp should be scrapped.
- Do not touch the luminaire in operative status.
- The light source of this luminaire is not replaceable. When this luminaire reaches its end of life ,whole luminaire must be replaced to ensure performance and safety.
- Range mounting height 5m max.
- Only installed outside the arm's reach.
- Suitable for indoors and outdoors.
- Caution, risk of electric shock.
- Please note that the fixture is equipped with standard surge protection only. To protect the fixture from sags, surge, and lightning strikes, additional surge protectors must be deployed on the primary side.



## تحذير

- لا يمكن استبدال السلك المرن الخارجي لهذا الضوء. في حالة تلف السلك المرن ، يجب تغير المصباح بالكامل
- لا تلمس الكشاف في وضع التشغيل
- لا يمكن استبدال مصدر الضوء في وحدة الإنارة هذه. عندما تصل هذه المصابيح إلى نهاية عمرها ، يجب استبدال المصباح الكامل لضمان الأداء والسلامة
- مستوى ارتفاع التثبيت 5 متر بحد أقصى
- تثبيت فقط بعيدا عن مستوى وصول الذراع
- مناسب للاستخدام الداخلي و الخارجي
- ملاحظة: وحدة الإضاءة هذه مزودة بحماية من نبضات الفولتية اللحظية المرتفعة حسب المواصفات المعتمدة عالميا



LEDVANCE Pte Ltd.  
988 Toa Payoh North, # 03-06,  
Singapore 319002

LEDVANCE Sdn, Bhd. (1166537-U)  
100.7.009, 129 Offices, Block J, Jaya One  
No. 72A, Jalan Universiti,  
46200 Petaling Jaya,  
Selangor Darul Ehsan, Malaysia

(주)레드밴스  
서울시 강남구 삼성로554 예성빌딩6층  
(우편번호 06165)  
전화번호: +82 80 4891 700  
www.ledvance.co.kr

LEDVANCE Pvt. Ltd.  
1201-1202, 12th Floor, Signature Towers,  
Tower -A, South City -I, Gurugram -122001,  
Haryana (India)  
Consumer care (Name and address as per above),  
Consumer care Tel. No. 0124-4150100  
E-mail id: customercare@ledvance.com  
www.ledvance.in

EDVANCE Prosperity Co., Ltd.  
20/F, Cornell Centre,  
50 Wing Tai Rd., Chai Wan, Hong Kong

PT RALUM INDONESIA  
Citra Raya Blok I. 26/17, Kel. Cikupa,  
Kec. Cikupa, Kab. Tangerang, Prop.  
Banten 10320, Jakarta, Indonesia

LEDVANCE Middle East FZE  
Jebel Ali Free Zone  
JAFZA 16, Office 603  
P.O. Box 17476, Dubai – UAE

LEDVANCE Lighting (Shenzhen) Co. LTD  
5/F, Block 2, Liuxian Cultural Park,  
No.1002 Tongle Road, Xili,  
Nanshan District, Shenzhen 518055,  
P.R. China

Standards:  
IEC 60598-1, IEC 60598-2-5  
CISPR 15, IEC 61000-3-2

IP65



C10449057  
G11101970  
2020-07-22

www.ledvance.com